

Ref. 0905003

25MM Endless Strap 6M - FIELD

DESCRIPTION:

- Ratchet Strap with endless 25 mm x 6 m webbing;

FEATURES:

- Ratchet strap with 100% polyester webbing;
- 25 mm x 6 m;
- Endless;

BRAND: FIELD



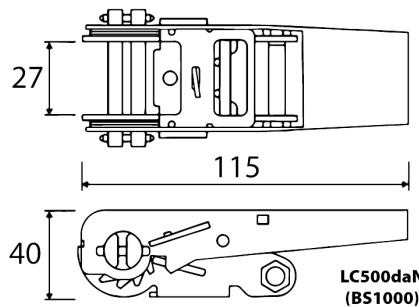
Standards:

CE

EN 12195-2-2001

Product Data:

Sizes	-
Packaging	75 Unidade(s) por Cartão
Material	Poliéster
Type	Roquetes
Datasheet Version	0905003.30032025/V4



LC500daN
(BS1000)